

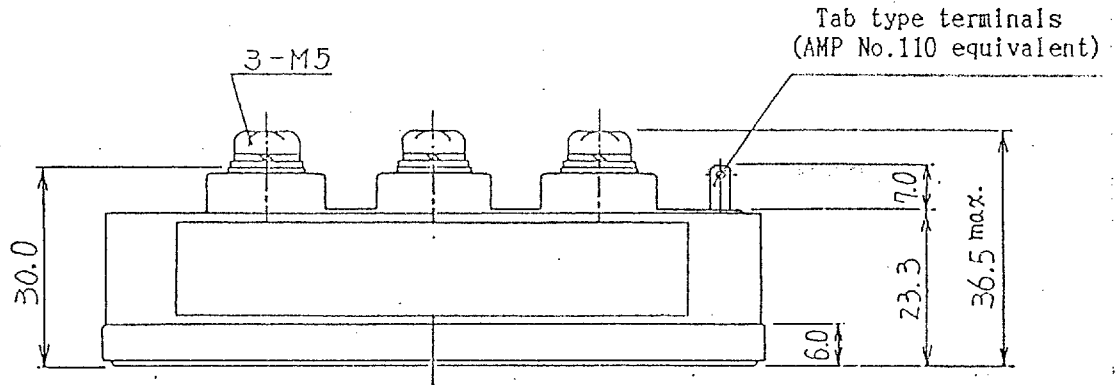
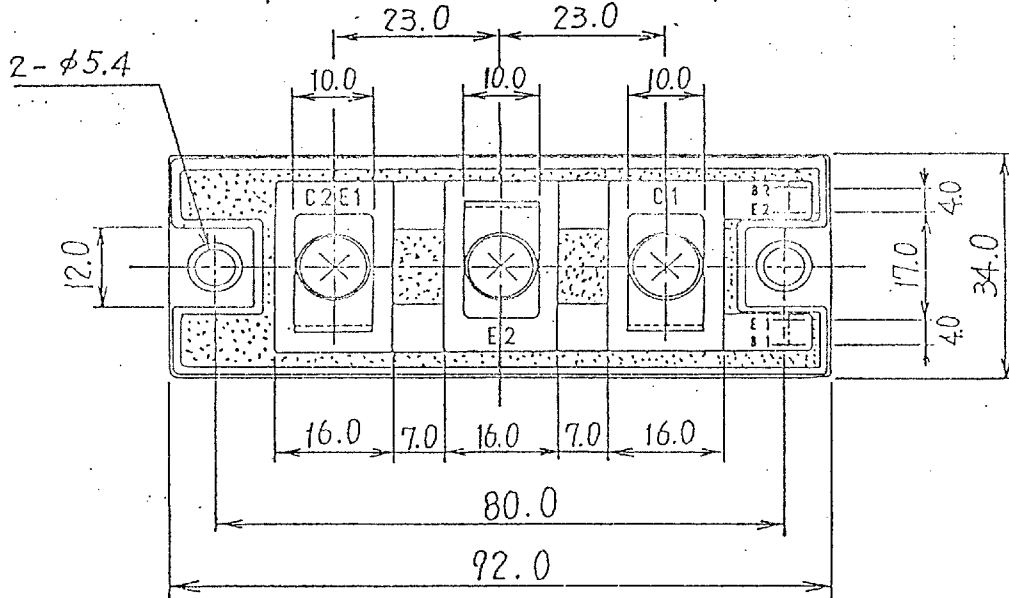
Ratings and characteristics of Fuji IGBT (MBT) Module

2MBI50J-060 (TENTATIVE)

1. Outline Drawing

Unit : mm

* Isolation Voltage : AC 2500 V 1 minute



This material and the information herein is the property of Fuji Electric Co., Ltd. They shall be neither reproduced, copied, lent, or disclosed in any way whatsoever for the use of any third party nor used for the manufacturing purposes without the express written consent of Fuji Electric Co., Ltd.

REVISIONS			
-----------	--	--	--

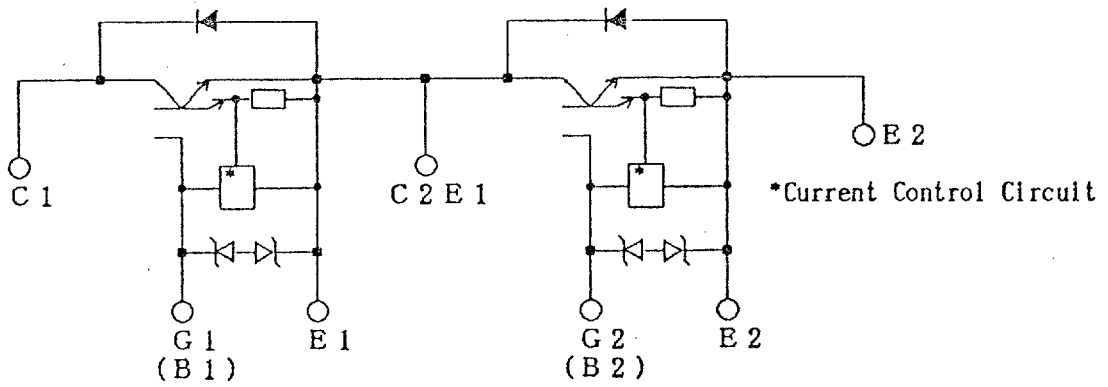
	DATE	NAME	APPROVED
DRAWN	Jan - 25 - 93	A. Yamaguchi	
CHECKED	Jan - 26 - 93	T. Miyasaka	<i>[Signature]</i>

Fuji Electric Co., Ltd.	
DWG. NO.	NT5F4904

MA4LE

2238792 0002421 2&T COL

2. Equivalent Circuit



3. Absolute Maximum Ratings (Tj=25 °C)

Items	Symbols	Ratings	Units	
Collector-emitter voltage	V_{CES}	600	V	
Gate-emitter voltage	V_{GES}	± 20	V	
Collector current	Continuous	I_c	50	A
	1 ms	I_c pulse	100	
		$-I_c$	50	
	1 ms	$-I_c$ pulse	100	
Max.power dissipation	PC	150	W	
Operating temperature	Tj	+150	°C	
Storage temperature	Tstg	-40 ~ +125	°C	
Isolation voltage	Vis	AC 2500 (1 min)	V	
Screw Torque	Mounting * 1	3.5	N · m	
	Terminals * 1	3.5		

Note : *1 Recommended Value : 2.5 ~ 3.5 N · m (M5)

This material and the information herein is the property of Fuji Electric Co., Ltd. They shall be neither reproduced, copied, lent, or disclosed in any way whatsoever for the use of any third party nor used for the manufacturing purposes without the express written consent of Fuji Electric Co., Ltd.

	DATE	NAME	APPROVED	Fuji Electric Co., Ltd.
DRAWN	- -			WT5F4904 2/11
CHECKED	- -			
REVISIONS				DWG. NO.

MA4LE

2238792 0002422 116 COL

4. Static electrical characteristics (at $T_j=25^\circ\text{C}$ unless otherwise specified)

Items	Symbols	Characteristics			Conditions		Units
		min.	typ.	max.			
Zero gate voltage collector current	I_{CES}			1.0	$T_j = 25^\circ\text{C}$	$V_{GE} = 0\text{V}$ $V_{CE} = 600\text{V}$	m A
					$T_j = 125^\circ\text{C}$		m A
Gate-emitter leakage current	I_{GES}			15	$V_{CE} = 0\text{V}$ $V_{GE} = \pm 20\text{V}$		μA
Gate-emitter threshold voltage	$V_{GE(th)}$	3.5	5.0	6.5	$V_{CE} = 20\text{V}$ $I_c = 50\text{mA}$		V
Collector-emitter saturation voltage	$V_{CE(sat)}$		1.7	2.5	$V_{GE} = 15\text{V}$ $I_c = 50\text{A}$		V

5. Dynamic ratings (at $T_j=25^\circ\text{C}$ unless otherwise specified)

Items	Symbols	Characteristics			Conditions	Units
		min.	typ.	max.		
Input capacitance	C_{ies}		3200		$V_{CE} = 0\text{V}$	p F
Output capacitance	C_{oes}				$V_{CE} = 10\text{V}$	
Reverse transfer capacitance	C_{res}				$f = 1\text{MHz}$	
Turn-on time	t_{on}		0.6	1.2	$V_{CC} = 300\text{V}$ $I_c = 50\text{A}$ $V_{GE} = \pm 15\text{V}$ $R_c = 51\Omega$	μs
	t_r		0.2	0.6		
Turn-off time	t_{off}		0.8	1.5		
	t_f		0.15	0.35		

This material and the information herein is the property of Fuji Electric Co., Ltd. They shall be neither reproduced, copied, lent, or disclosed in any way whatsoever for the use of any third party nor used for the manufacturing purposes without the express written consent of Fuji Electric Co., Ltd.

REVISIONS				
-----------	--	--	--	--

	DATE	NAME	APPROVED	Fuji Electric Co., Ltd.	
DRAWN	- -				
CHECKED	- -			DWG. NO.	MT5F4904

MA4LE

2238792 0002423 052 COL

6. Characteristics of reverse diode (at Tj=25°C unless otherwise specified)

Items	Symbols	Characteristics			Conditions	Units
		min.	typ.	max.		
Diode forward on-voltage	V _F		2.3	3.0	I _F = 50A V _{GE} = 0V	V
Reverse recovery time	t _{rr}			300	I _F = 50A -di/dt = 150A/μs	ns

7. Thermal resistance characteristics

Items	Symbols	Characteristics			Conditions	Units
		min.	typ.	max.		
Thermal resistance	R _{th(j-c)}			0.833	IGBT	°C/W
	R _{th(j-c)}			2.00	Diode	
	※ R _{th(c-f)}		0.05		the base to cooling fin	

※ This is the value which is defined mounting on the additional cooling fin with thermal compound.

This material and the information herein is the property of Fuji Electric Co., Ltd. They shall be neither reproduced, copied, lent, or disclosed in any way whatsoever for the use of any third party, nor used for the manufacturing purposes without the express written consent of Fuji Electric Co., Ltd.

REVISIONS	DATE	NAME	APPROVED		Fuji Electric Co., Ltd.		
	DRAWN	- -			DWG. NO.	MT5F4904	4/11
	CHECKED	- -					

MA4LE

■ 2238792 0002424 T99 ■ COL